

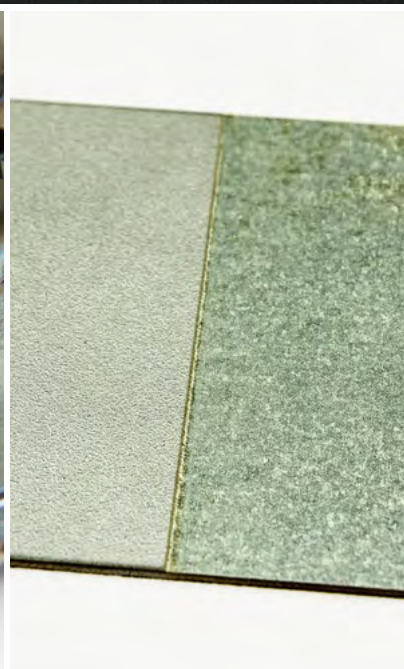
LASER | SYSTEME | SERVICES

4JET

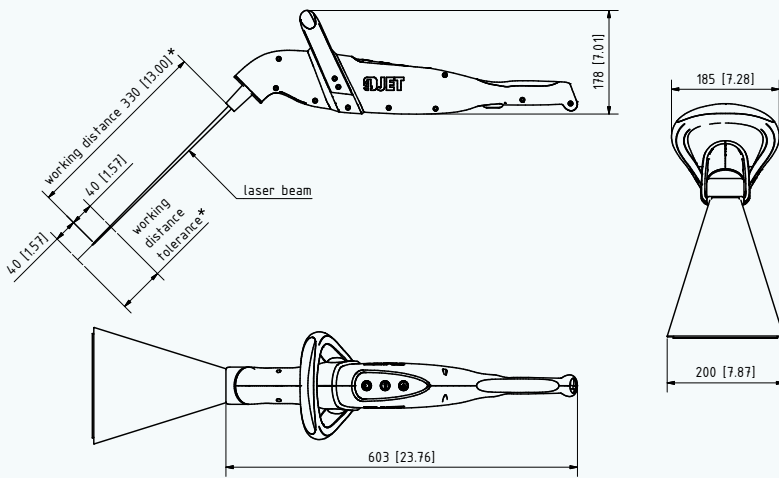


JETLASER

Flexible Laser Cleaning

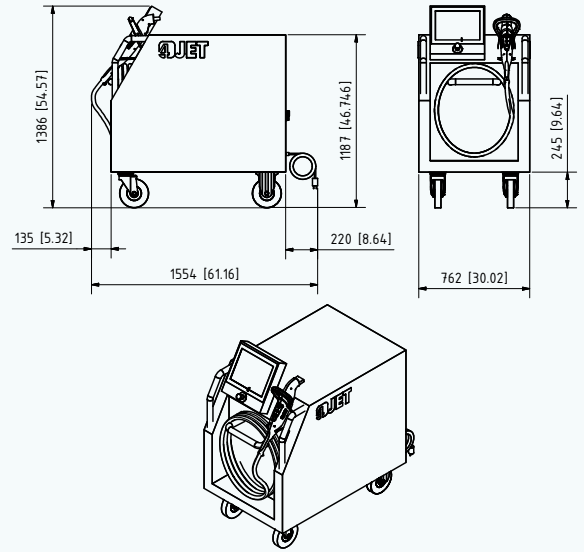


Devornishing / Removal of Rust, Oil and Grease / Paint Stripping / Mold Cleaning



Handheld Device

*Working distance and tolerance refer to a system with a 200 watt laser.



Supply Unit

JETLASER		M50 / R50	M100 / R100	M200 / R200	M500 / R500
LASER	UNIT				
Laser Power	W	50	100	200	500
Pulse Duration	ns	100	100	100	100
Laser Class		Class 4	Class 4	Class 4	Class 4
Pulse Frequency	kHz	50	100	20	10
Pulse Energy	mJ	1	1	10	50
Wavelength	nm	1064	1064	1064	1064
ELECTRICAL DATA	UNIT				
Power Supply	VAC / Hz	110-230 / 50-60	400-480 / 50-60	400-480 / 50-60	400-480 / 50-60
Fuse	A	16	16	16	16
MECHANICAL DATA	UNIT				
Weight of Laser Head	kg	approx. 6	approx. 6	approx. 6	approx. 6
Weight of Supply Unit	kg	approx. 307	approx. 307	approx. 307	approx. 307
Working Distance	mm	330	330	330	105
Working Distance Tolerance	mm	± 30	± 30	± 40	± 25
Length of Cable Connection between Handheld Device and Supply Unit	m	3 (others on request)	3 (others on request)	3 (others on request)	3 (others on request)

SYSTEM FEATURES

- Optimized for manual use (**JETLASER M**) or integration with a robot (**JETLASER R**)
- Innovative approaches to ergonomics and worker safety by a symmetrical design
- Available in four power levels
- Fibre-coupled, maintenance free solid state lasers
- Rugged mobile supply unit

APPLICATIONS

- Cleaning of molds, tools and fixtures
- Paint and coating removal operations
- Pre-treatment of surfaces prior to welding, glueing or coating operations



4JET Technologies GmbH

Konrad-Zuse-Str. 1
52477 Alsdorf, Germany

TEL. +49 (0) 24 04 55 230-0

FAX +49 (0) 24 04 55 230-11

MAIL sales@4jet.de

www.4jet.de

